

Data Sheet



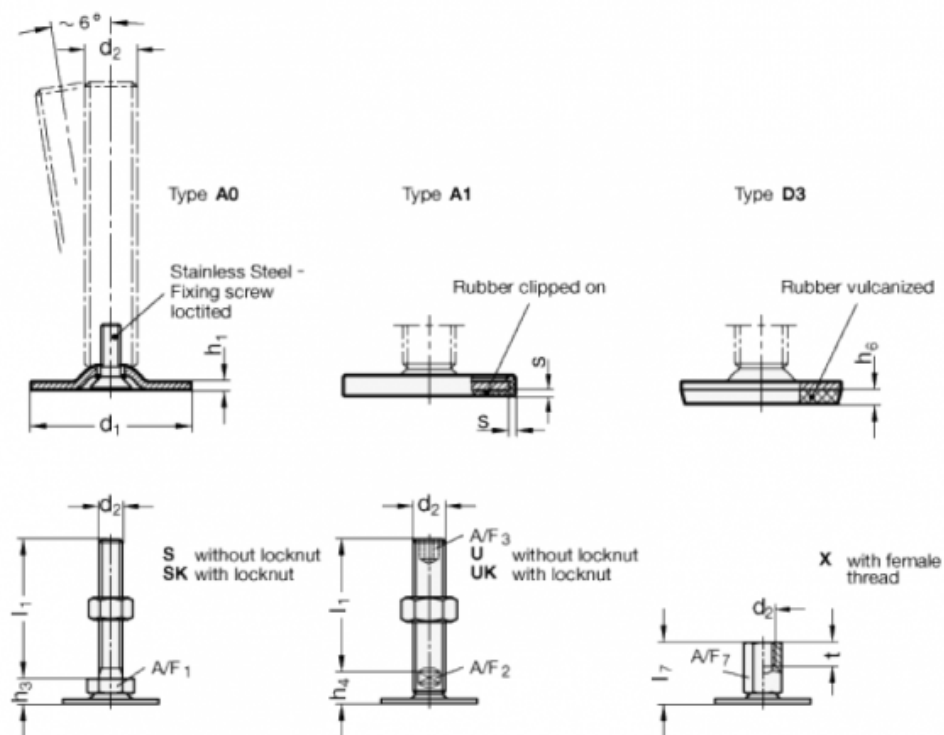
Article number: 204050M1280A3S

Description: E+G levelling foot

GN 40-50-M12-80-A3-S

Note: S Without nut, External hexagon at the bottom

Measures



A/F1	=	17
d1	=	50
d2	=	M12
h1	=	2.5
h3	=	11
h6	=	4
l1	=	80
s	=	